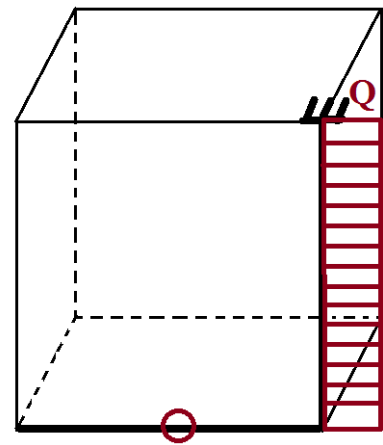
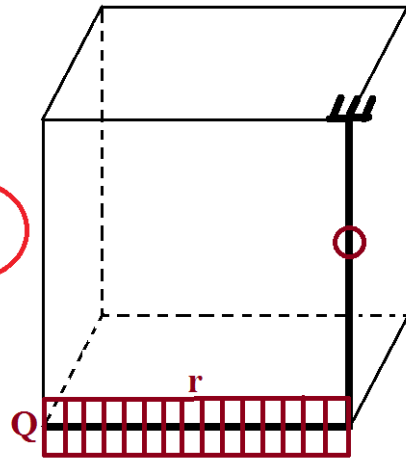
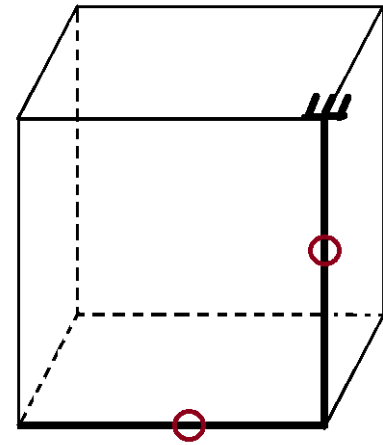
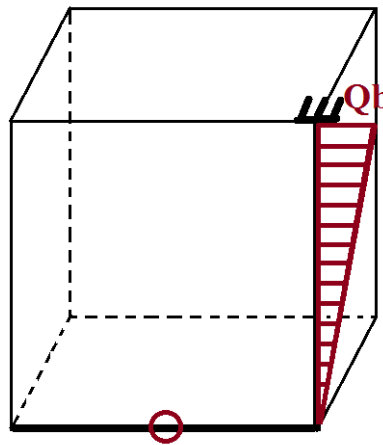


$N$

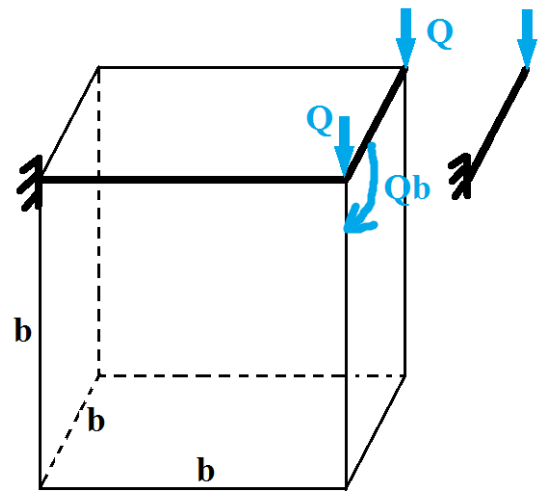


$T$

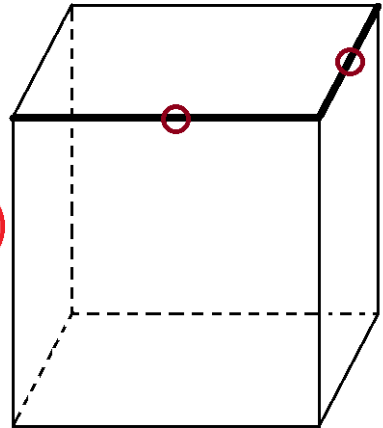
$M^Z$



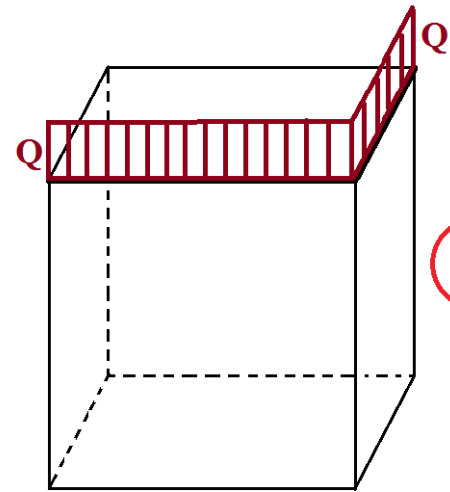
$M^S$



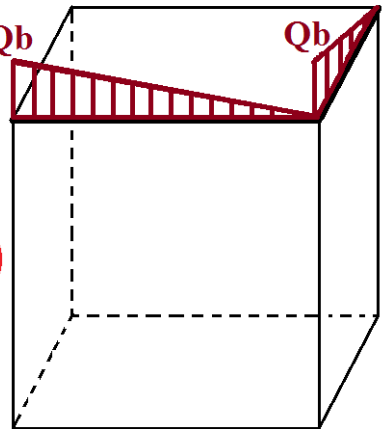
$N$



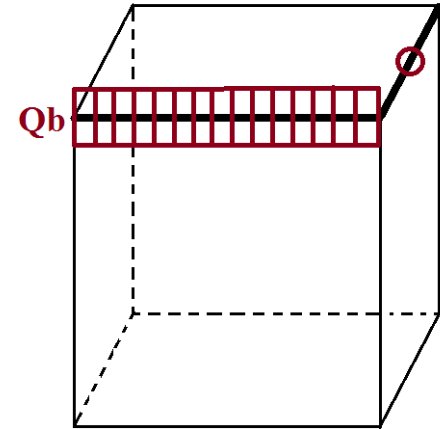
$T$

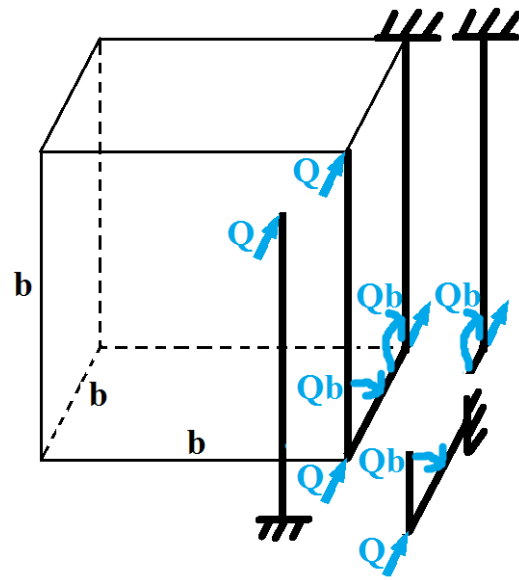


$M^Z$

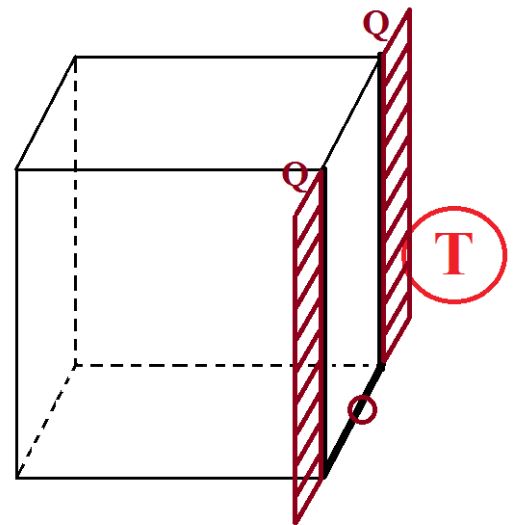
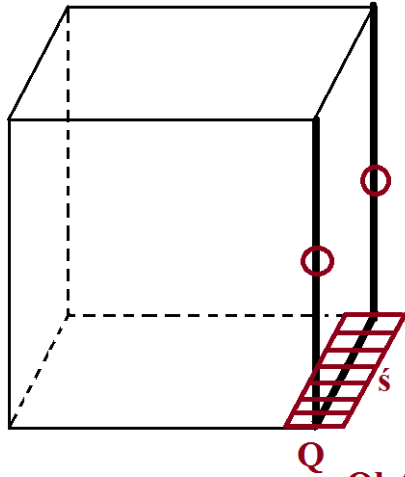


$M^S$

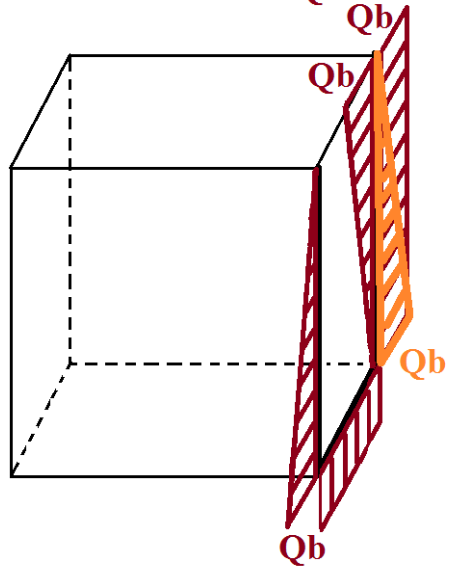




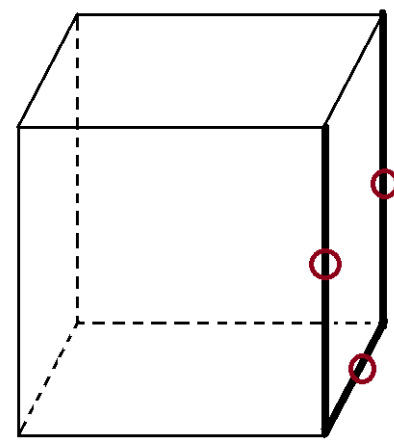
$N$

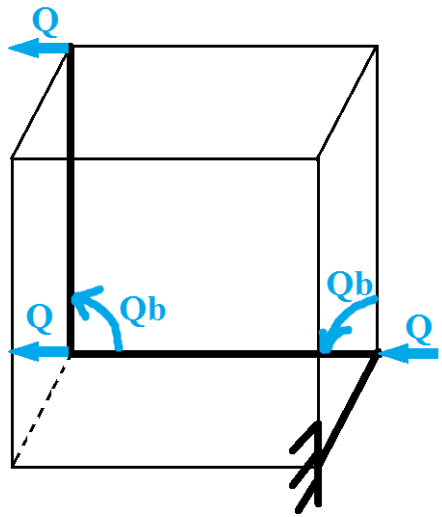


$M^Z$

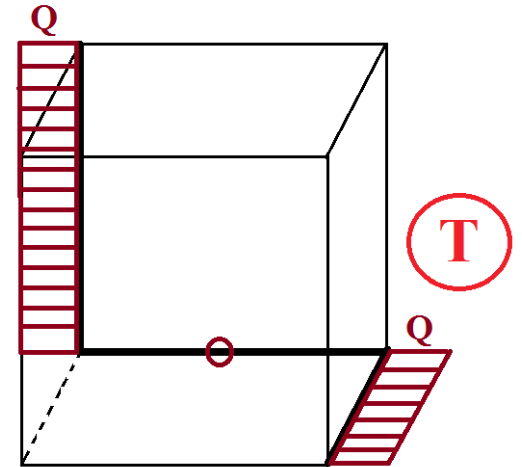
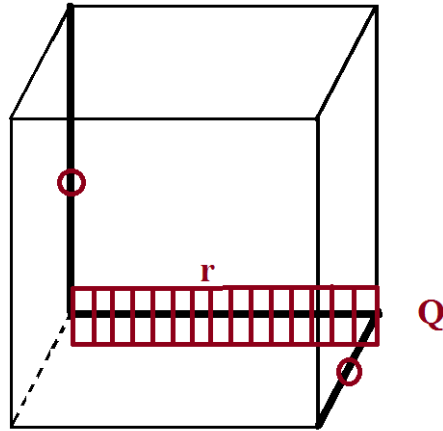


$M^S$



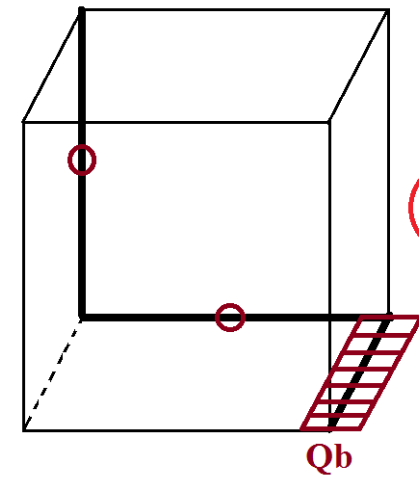
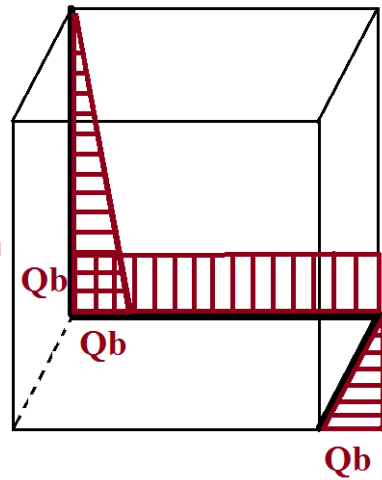


$N$



$T$

$M^Z$



$M^S$

