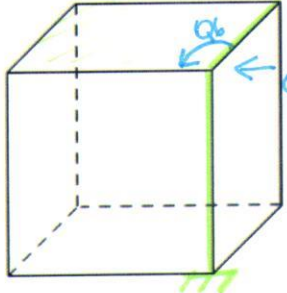
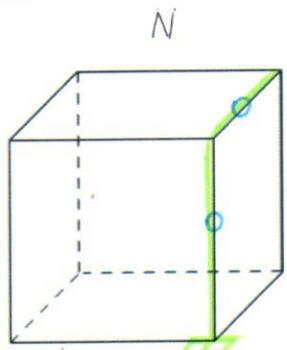


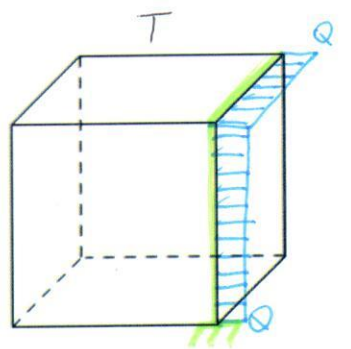
3p



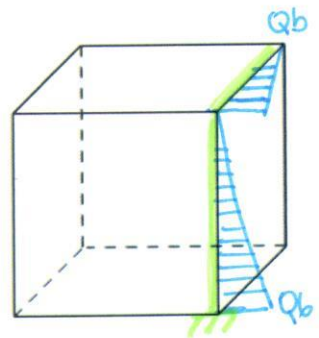
M_z



N

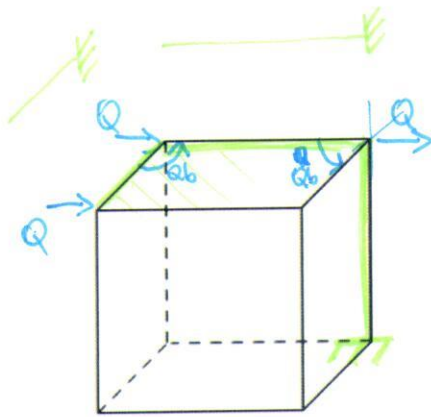
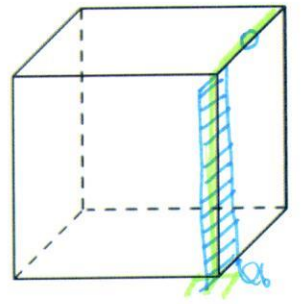


T

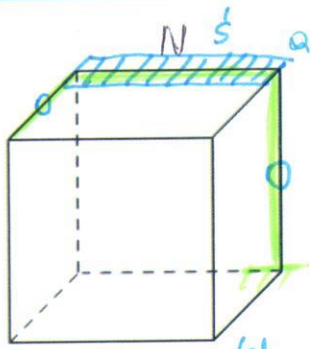


A

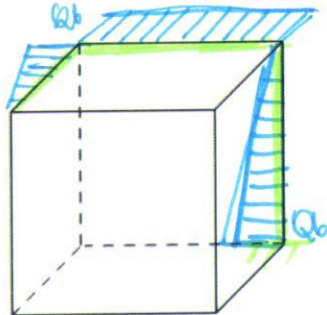
M_s



M_z

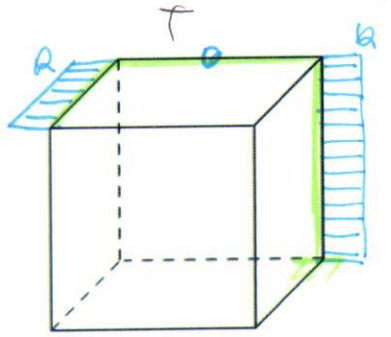


N s

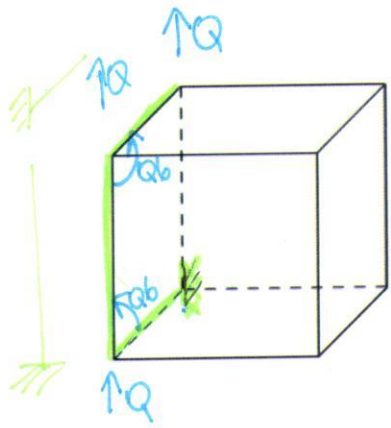
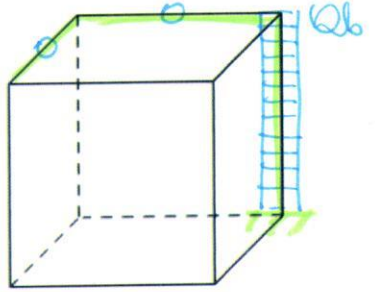


A

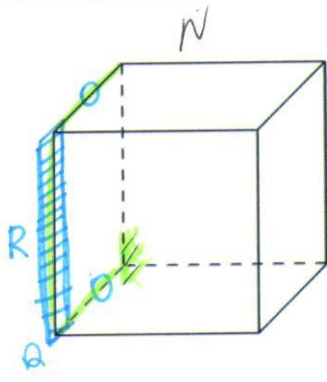
M_s



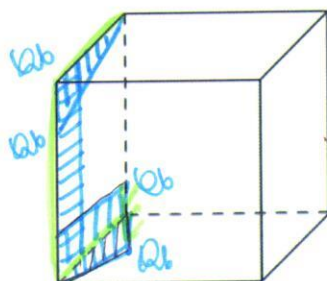
T



M_z

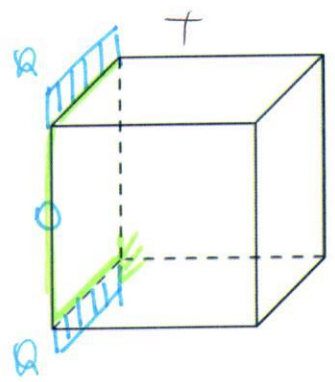


N

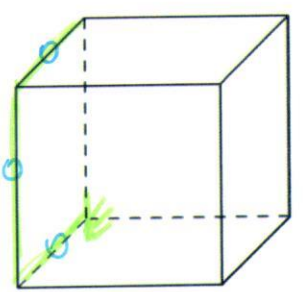


A

M_s

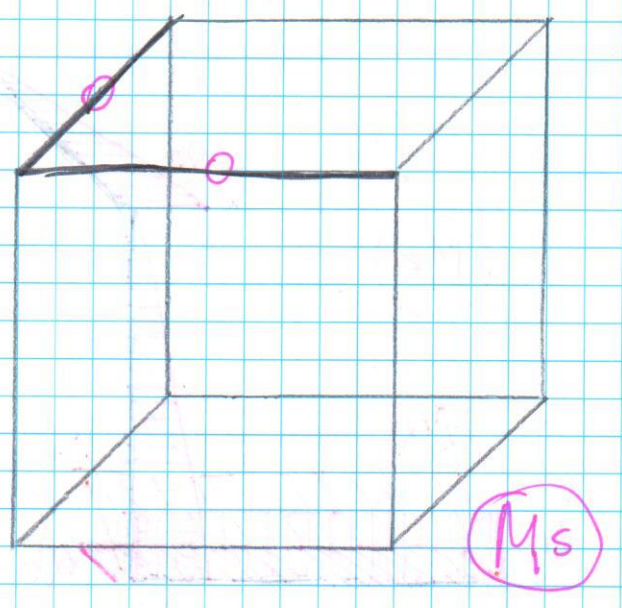
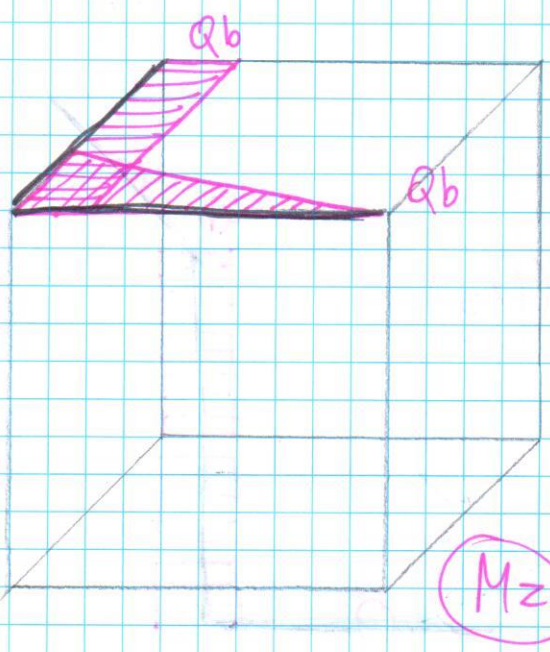
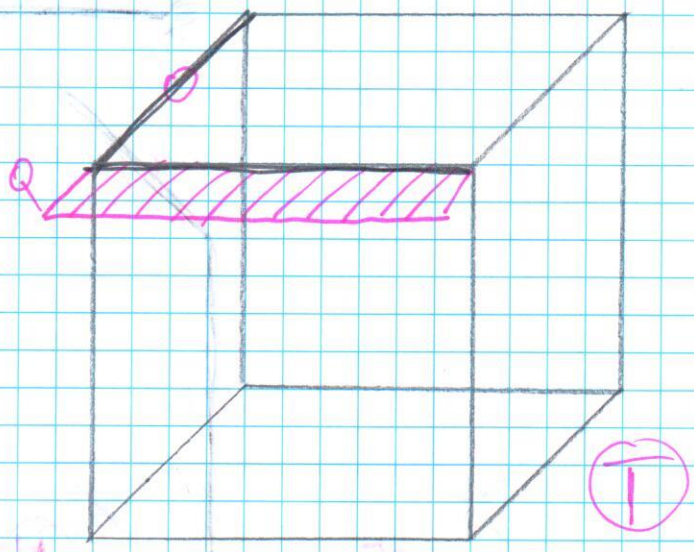
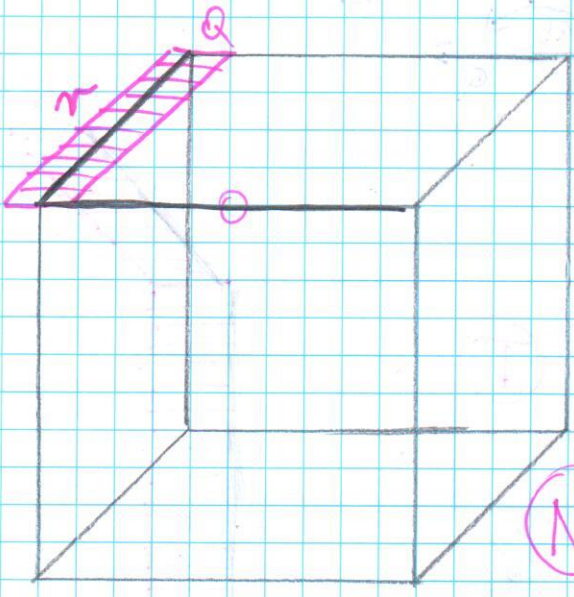
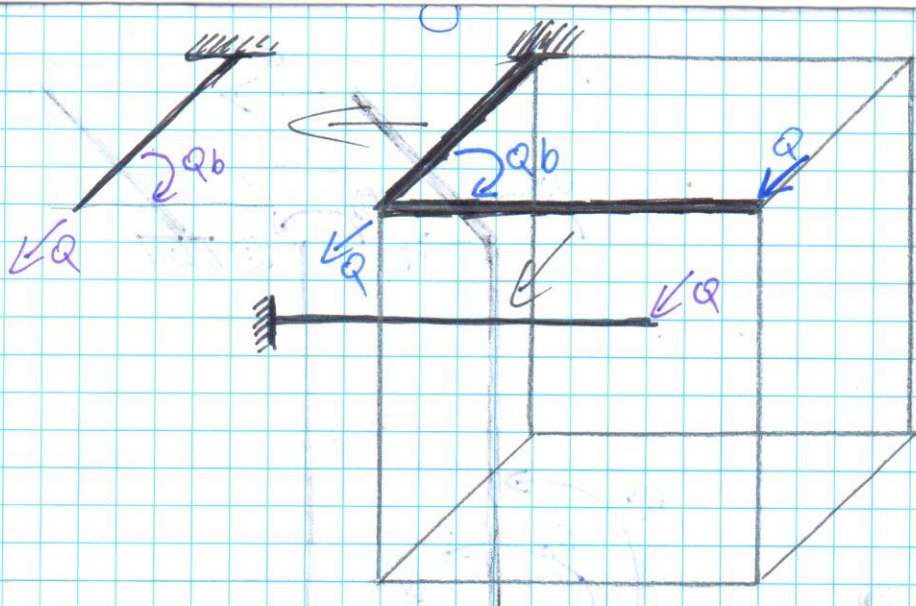


T

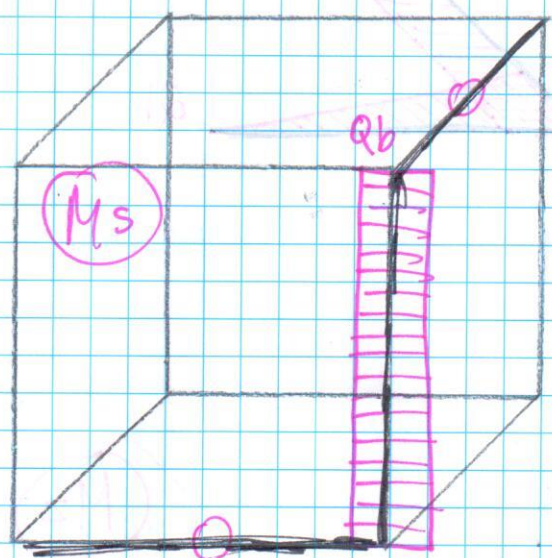
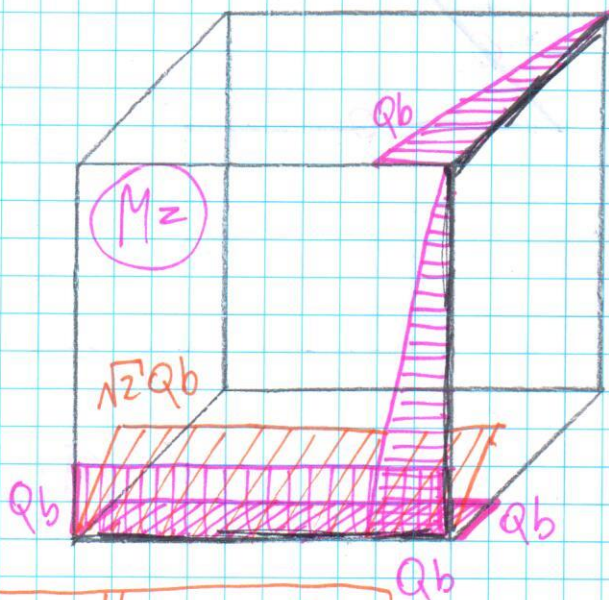
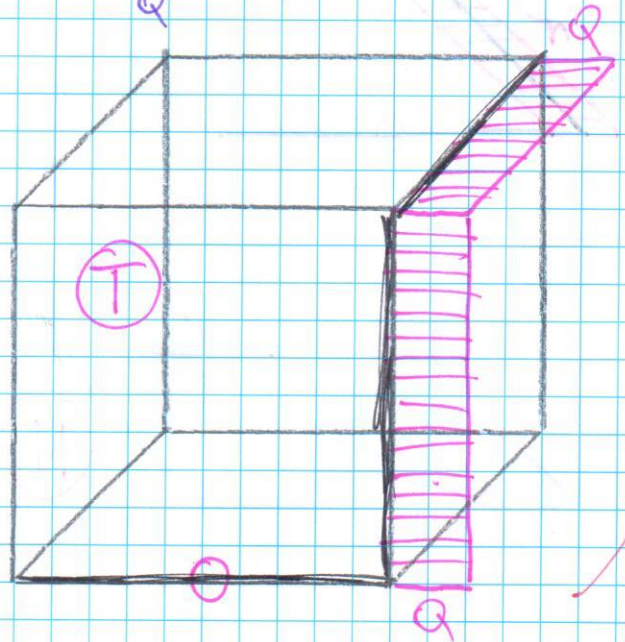
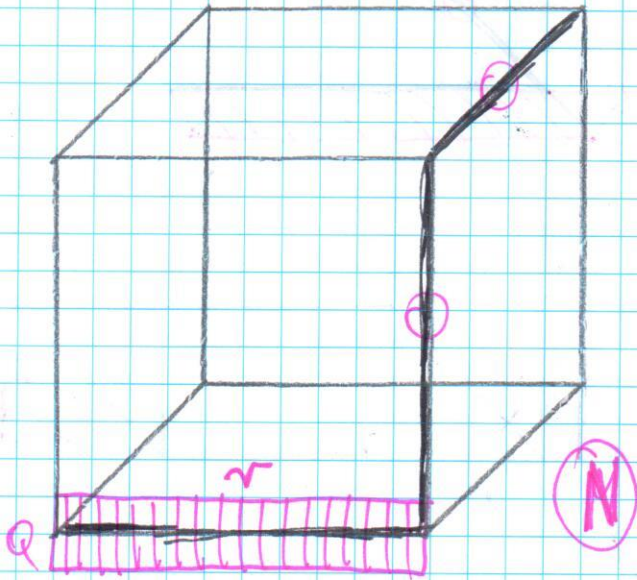
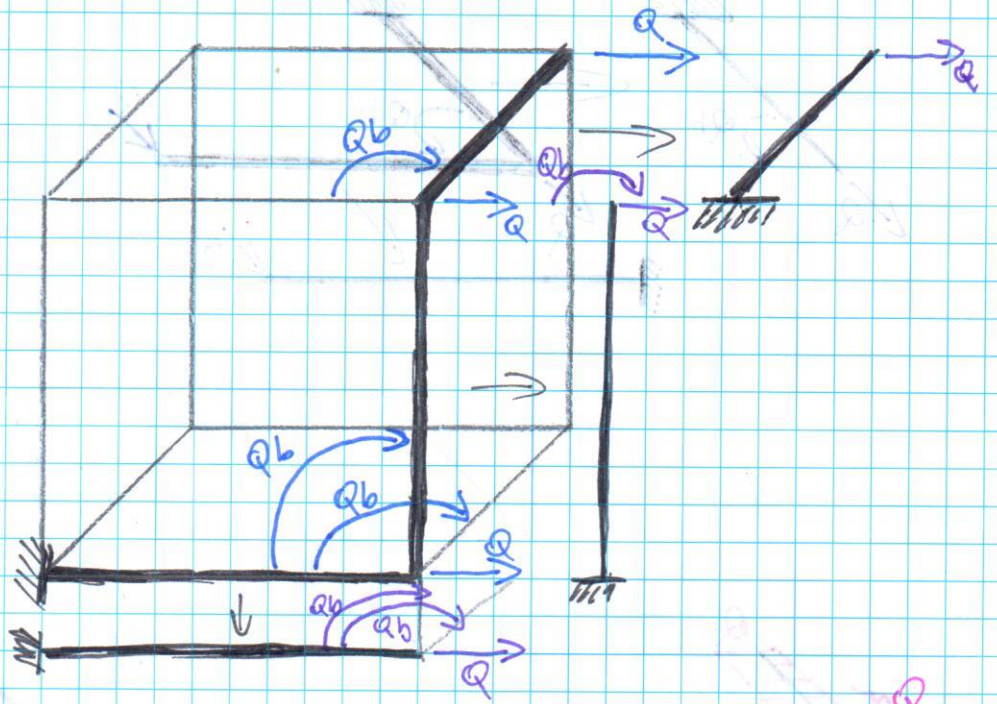


ZADANIE 1.

3p

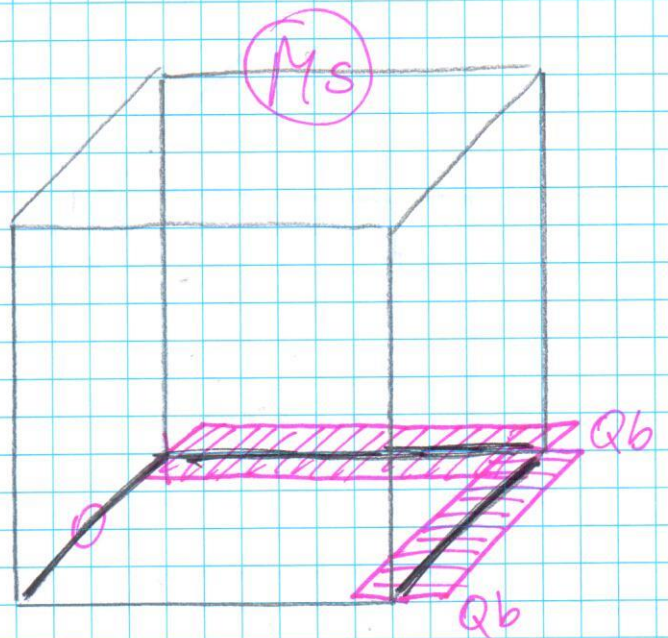
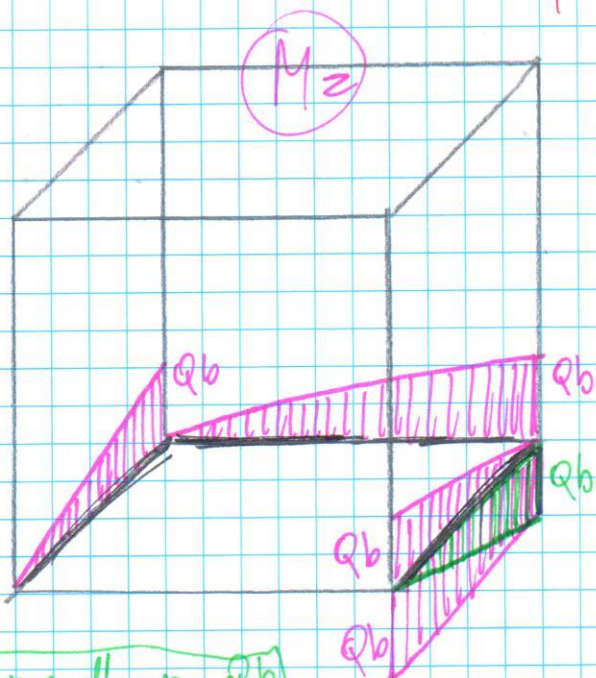
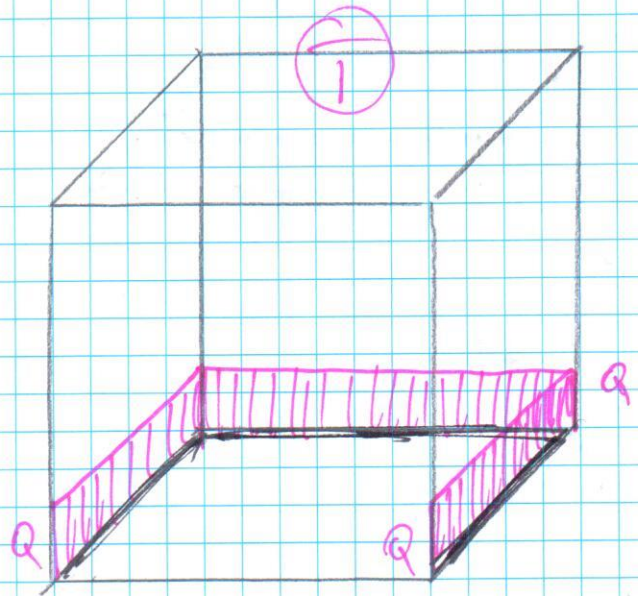
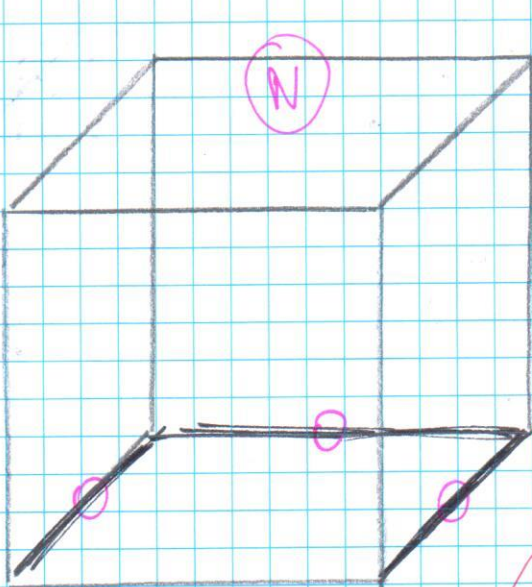
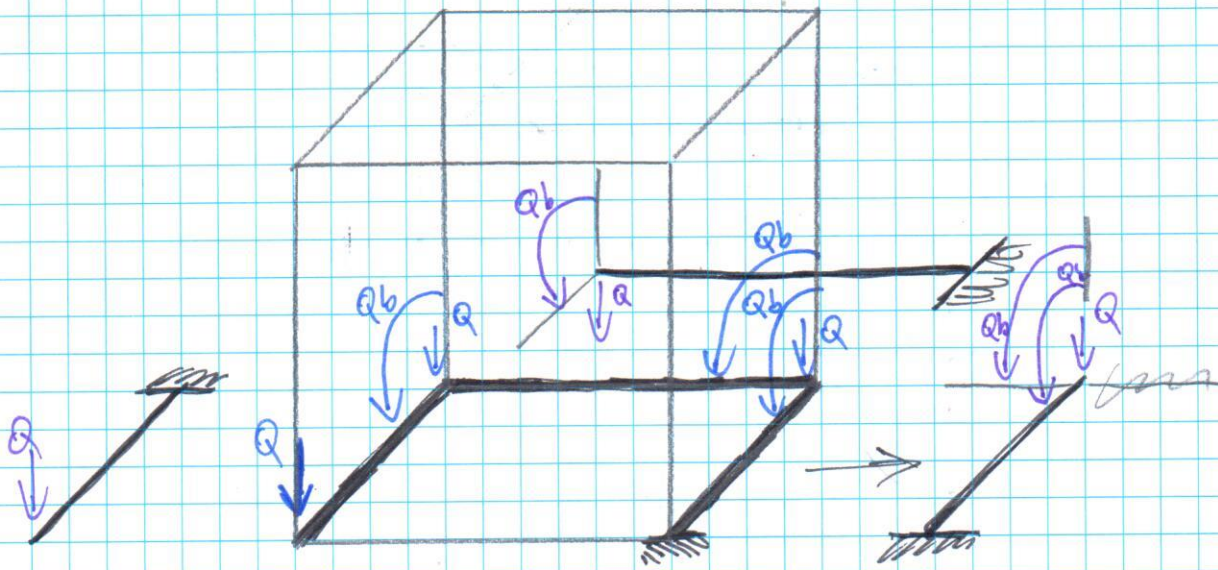


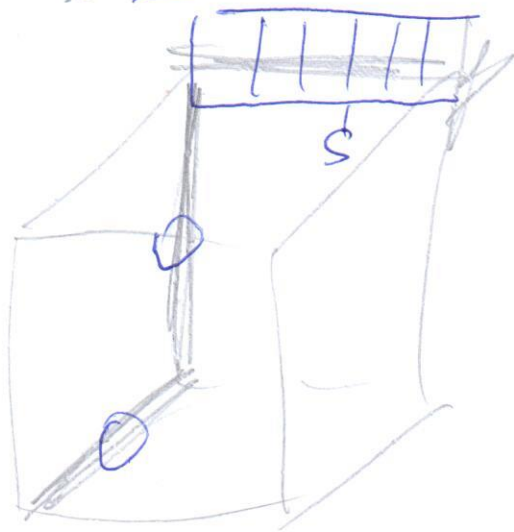
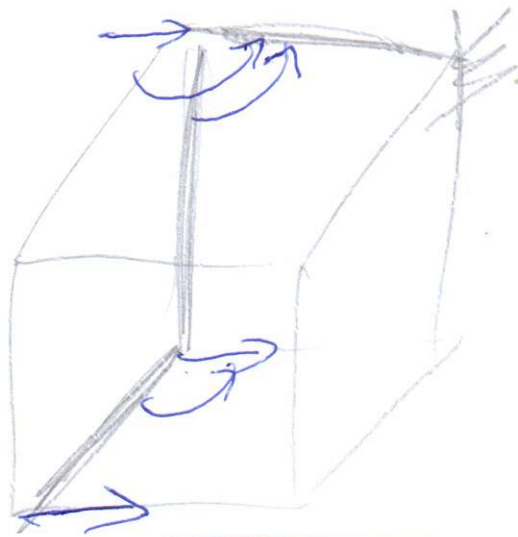
ZADANIE 2



wypadkowa - $\sqrt{2}Q_b$

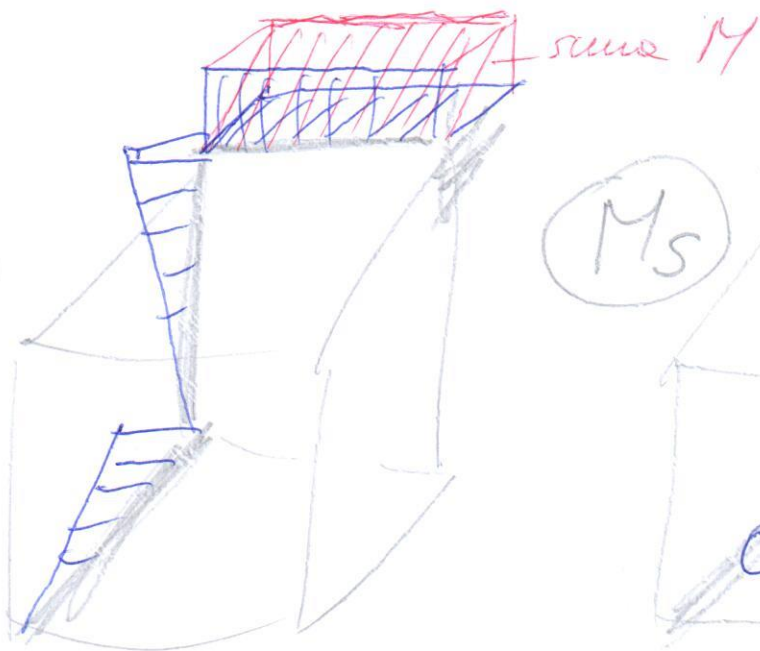
ZADANIE 3.



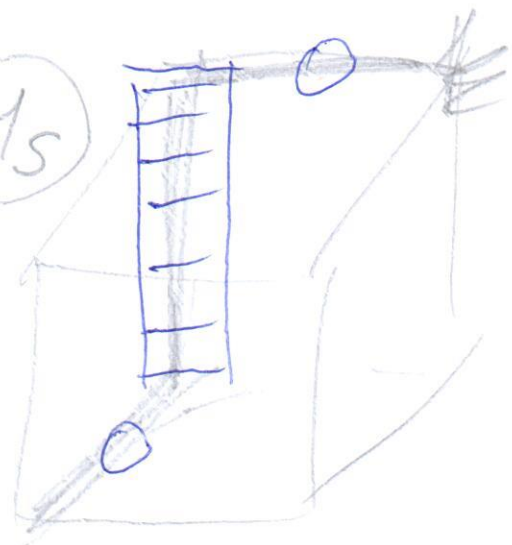


(N)

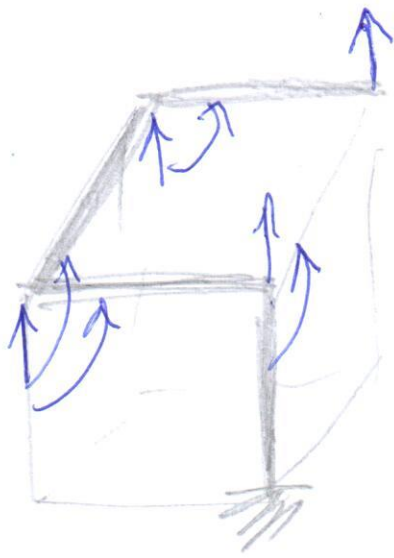
(T)



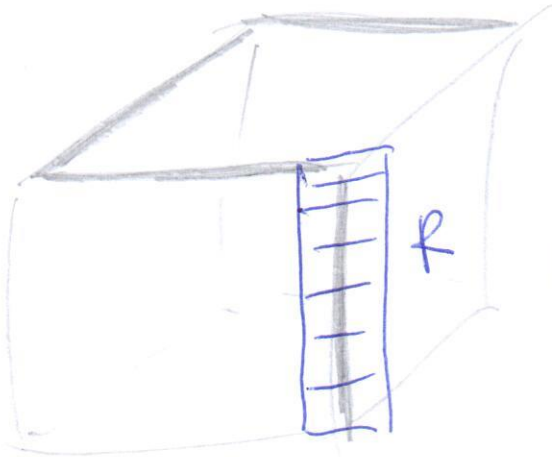
(M₂)



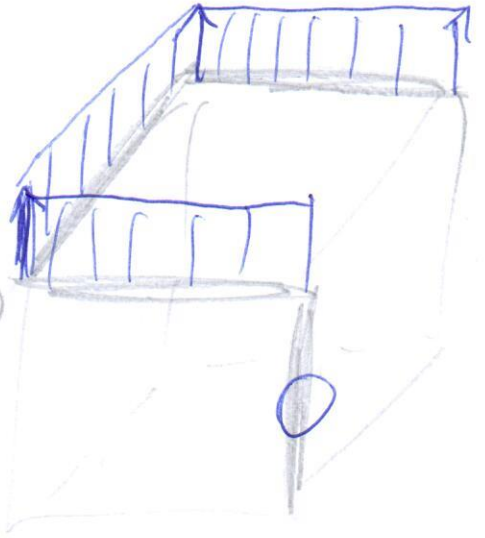
(M₅)



(N)

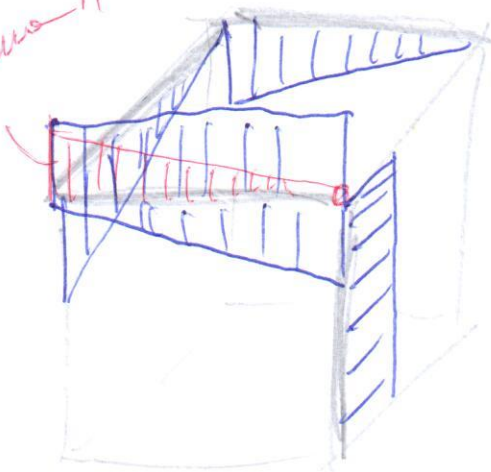


(T)



(M₂)

same M



(M_s)

